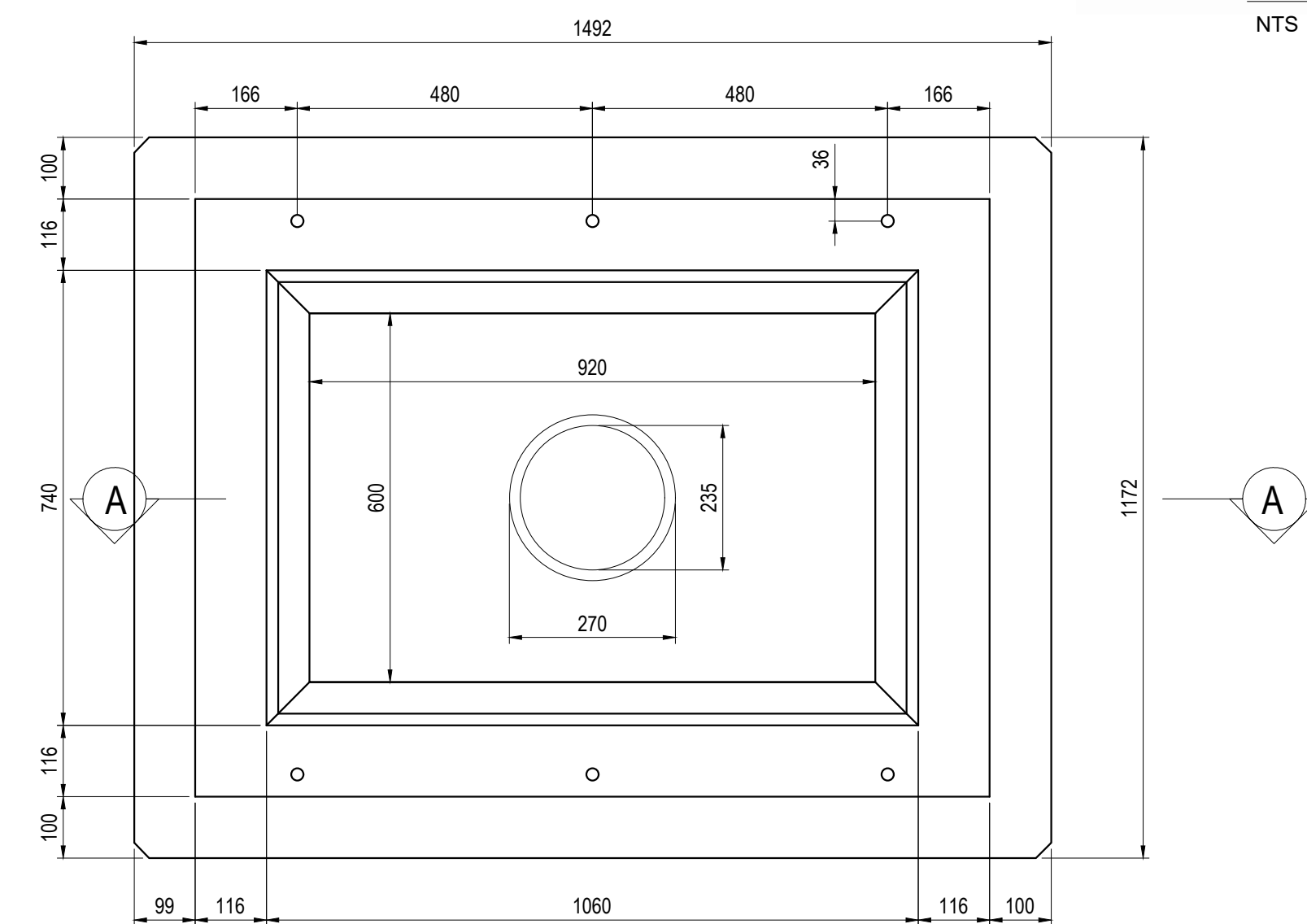
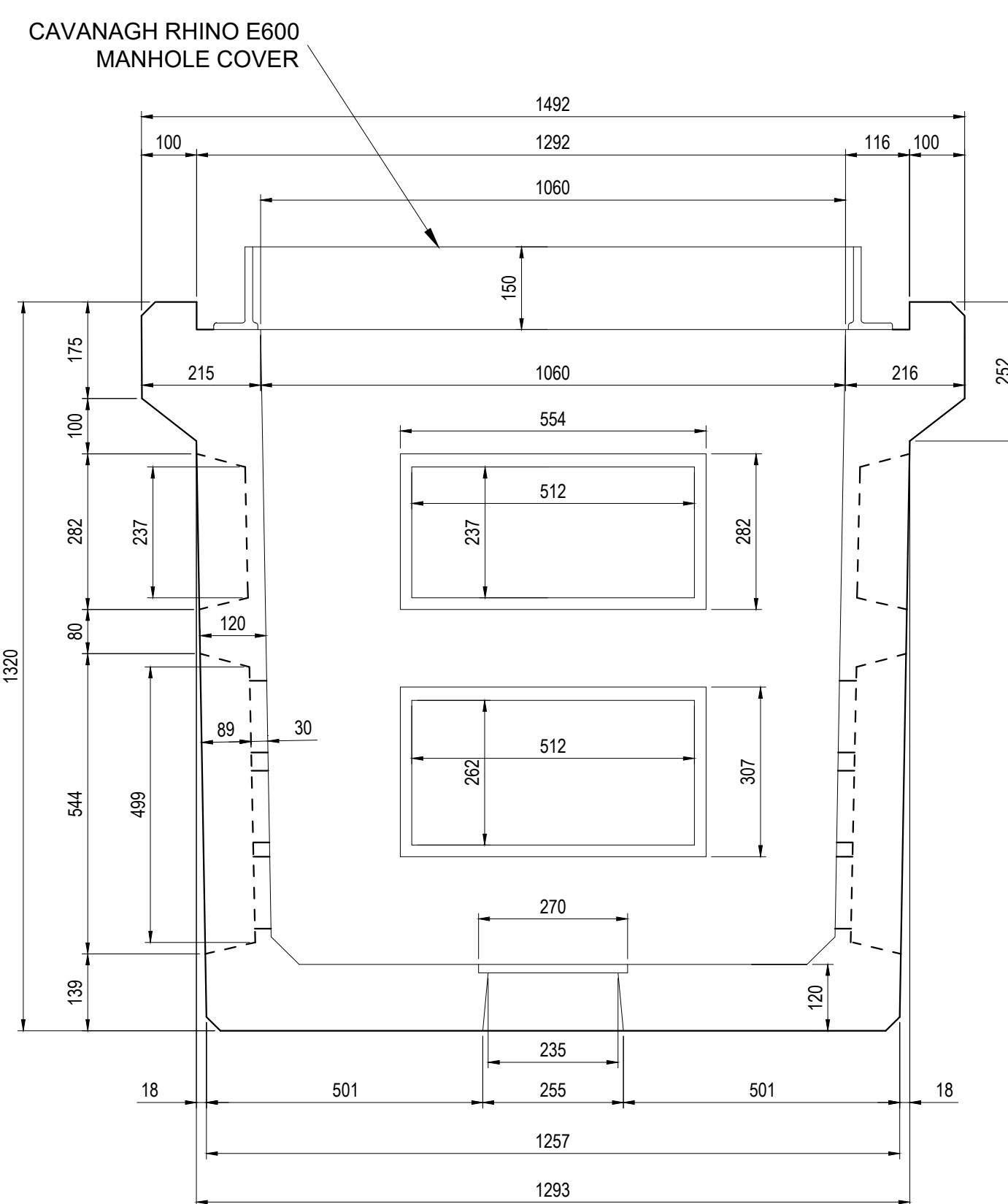


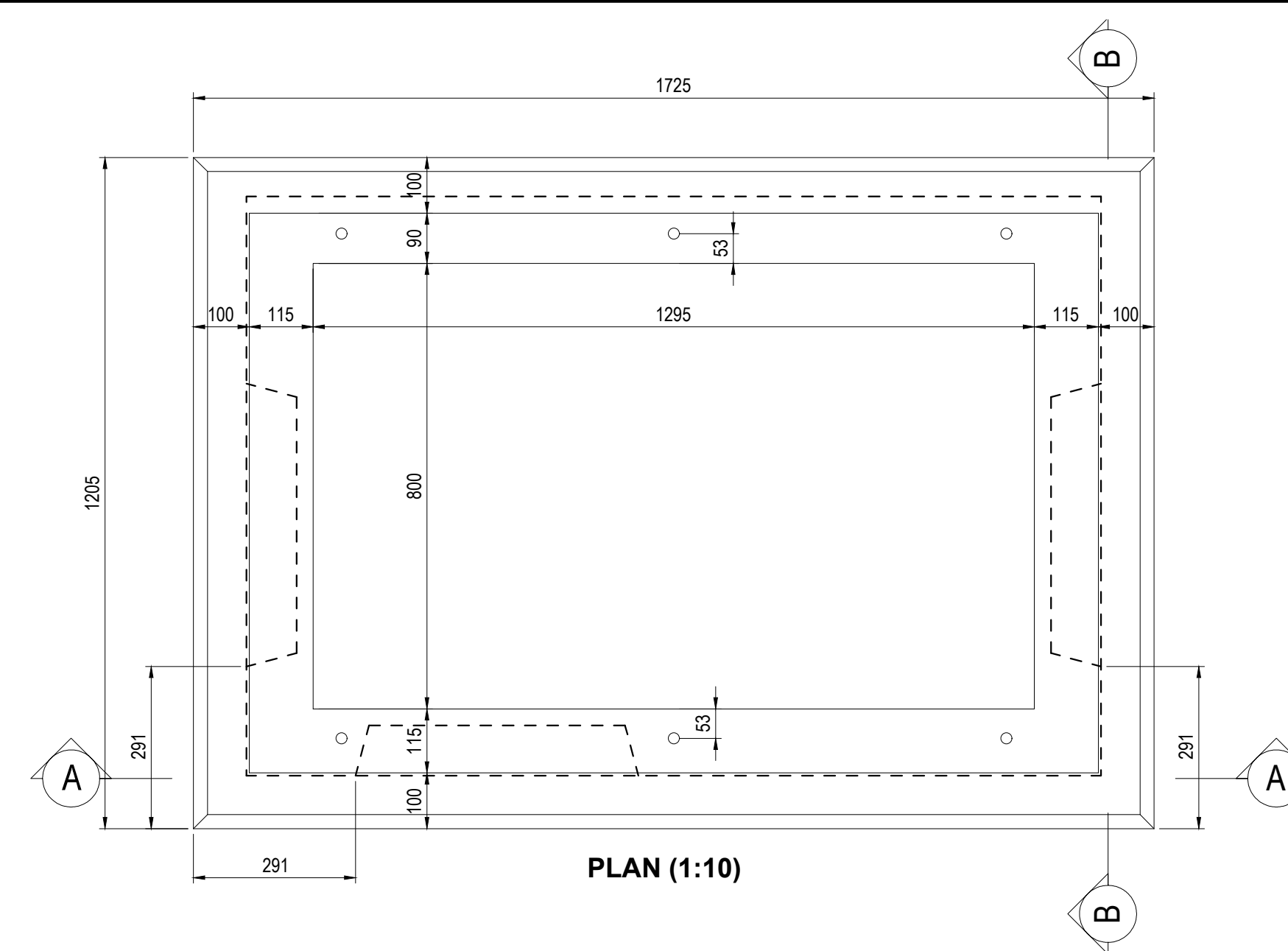
STEEL PLATE PLAN AND SECTION
NTS



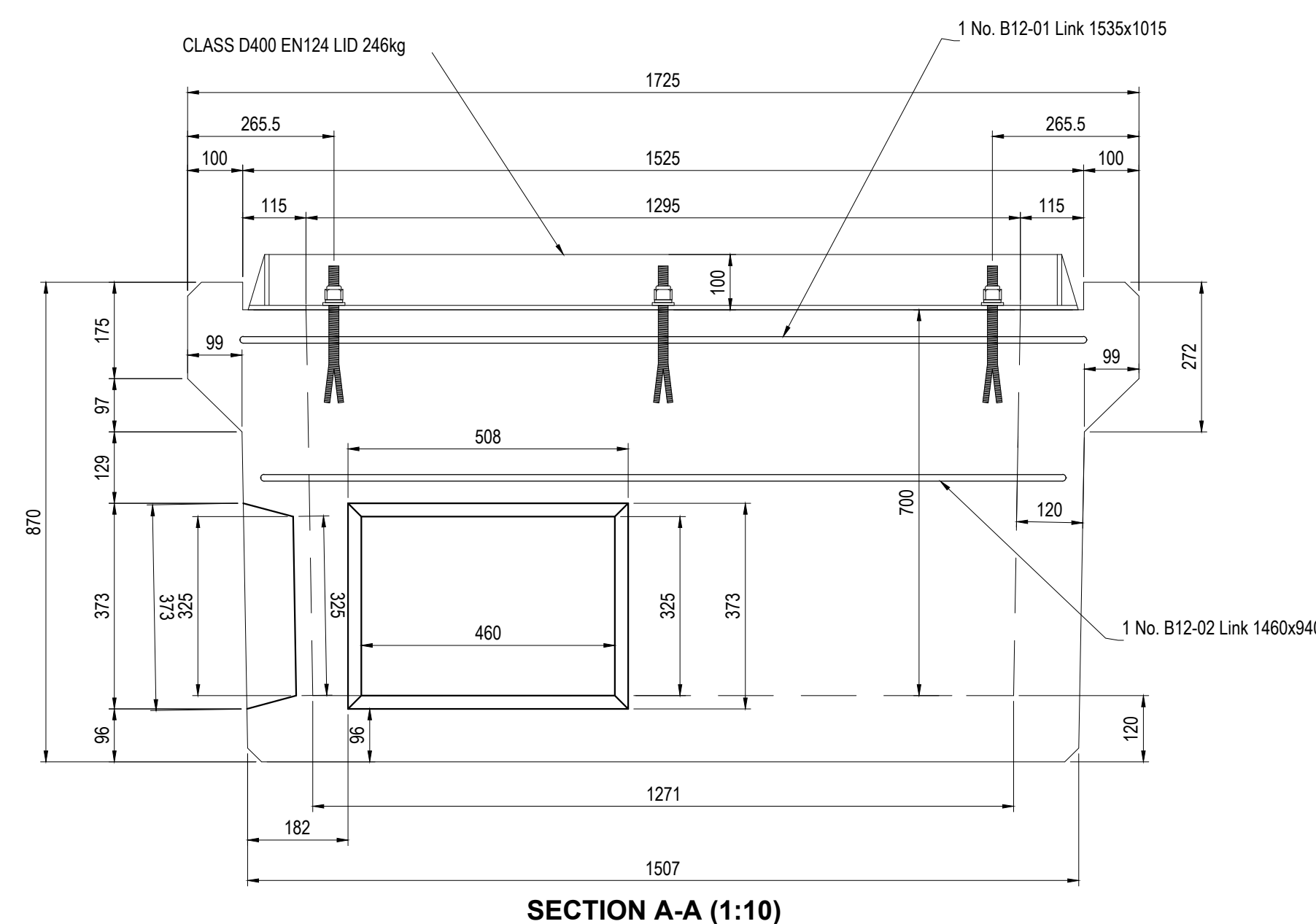
C2 COMMS CHAMBER
SCALE 1:10



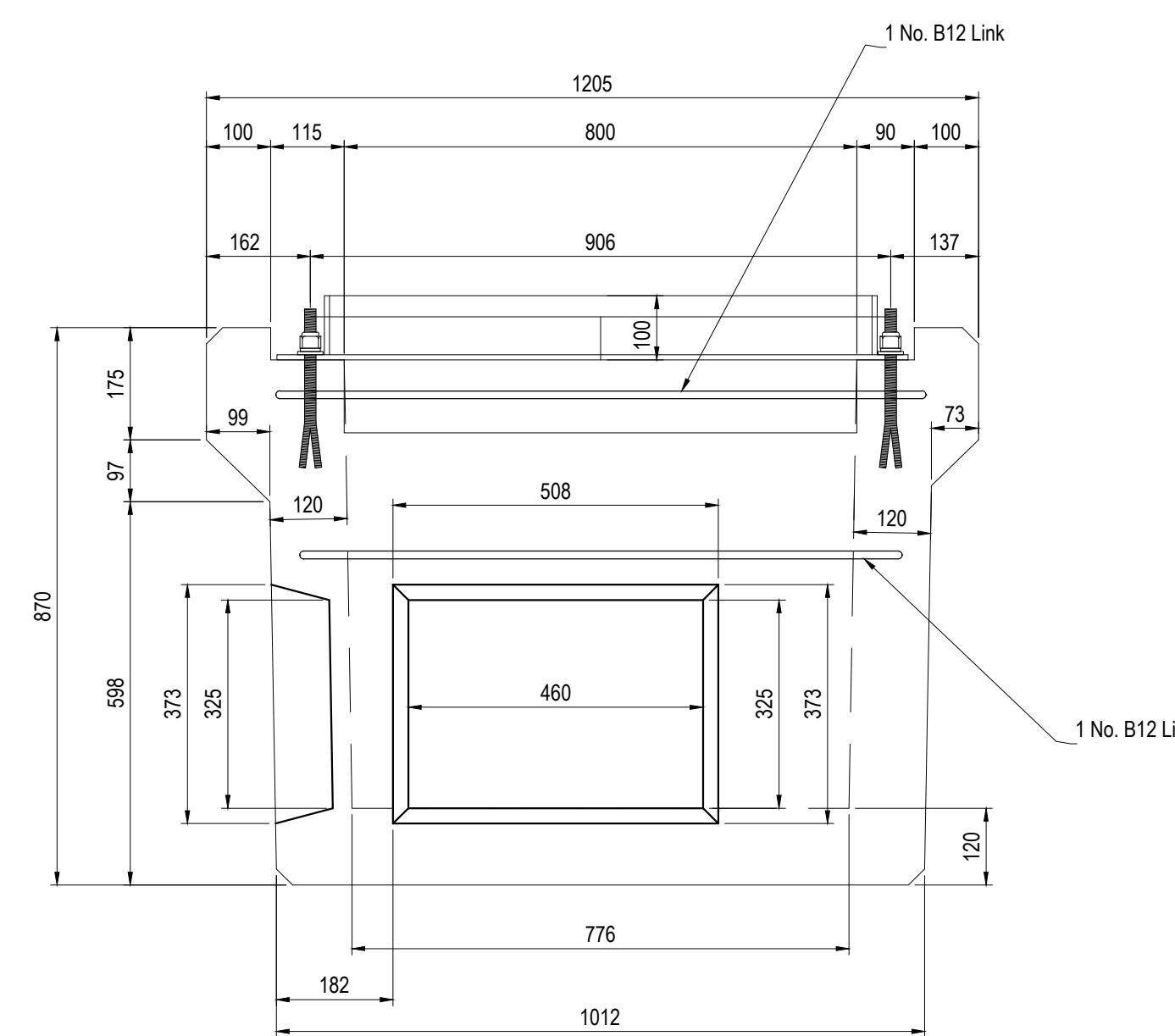
SECTION A-A (1:10)



1300x800 LINK BOX CHAMBER
SCALE 1:10



SECTION A-A (1:10)



SECTION B-B (1:10)

NOTES:

1. ALL DIMENSIONS IN MILLIMETERS
2. END DUCTS TO BE IN LINE
3. ALL MATERIALS AND WORKMANSHIP TO BE IN ACCORDANCE WITH THE TII SPECIFICATION FOR ROADWORKS
4. REINFORCED CONCRETE TO BE MINIMUM GRADE C32/40 TO I.S. EN 206. SULPHATE RESISTING CEMENT TO BE USED WHERE AGGRESSIVE SOIL CONDITION APPLY
5. COVERS AND FRAMES TO BE TO BS EN 124
6. ALL COVERS SHALL HAVE 'ESB' LOGO INCORPORATED IN THEM
7. STEP IRONS TO BE HOT DIPPED GALVANISED TO BS 729 AND POSITIONED AS SHOWN ON ANY CHAMBER DEEPER THAN 700mm ON THE END REMOTE FROM ANY SIDE ENTRY DUCTS

P02	ISSUE FOR PLANNING	ZS	CD	30/07/2020
P01	DRAFT FOR PLANNING	ZS	CD	17/07/2020
Rev	Description	Drawn	Checked	Date

Clifton Scannell Emerson Associates

Clifton Scannell Emerson Associates Limited
Consulting Engineers,
Seafor Lodge,
Castledawson Avenue,
Blackrock, Co. Dublin,
Ireland, A94 P768

T. +353 1 288 5006
F. +353 1 283 3466
E. info@csea.ie
W. www.csea.ie

Client	ENGINE NODE			
Project	ENGINE NODE 220 KV SUBSTATION AND GRID CONNECTION			
Dwg. Title	TYPICAL DETAILS FOR LINK BOXES, C2 CHAMBERS AND STEEL PLATES			
Drawn By	PH	Date	23-04-2020	18_086
Checked By	CD	Scale	AS INDICATED @ A1	CSEA Job No.
Project Code	Originator	Zone/Phase	Level	Type
A1045 - CSE - HEL - XX - DR - C - 2035				
S2	FOR INFORMATION			
Status Code	Suitability Description			
P02	PLANNING			
Revision	Project Status			